

# Performer 3 Music Stand

The Performer 3 Stand is the preferred stand of choice for schools, bands, and orchestras all over the world. The stands are a low-cost solution for musicians requiring a reliable and durable sheet music stand.



**RAT**stands  
TEMPO RANGE



The Performer 3 tray is made of a polypropylene which does not 'ring' when knocked, preventing any unwanted noise. The injection moulded tray is virtually unbreakable and its honeycomb form provides extreme strength and stability. It has smoothly rounded edges all over, making it safe to handle, and kind to instruments.

The stand has a cable tidy on the back of the tray to control LED light neatly and safely down to the base of the stand.



An optional additional lip can be added to the tray to hold pencils and small instruments (Sold separately).



Friction locks automatically hold the tray at the height and angle it is set. The stem friction can be increased by the turn of a screw, giving the musician the ability to use a small folder of music, to a heavy library of scores.



The music tray can be removed from the stand and replaced with a universal tablet holder or an acoustic protection screen in seconds.



The steel stem is extremely strong and rigid, ensuring that this stand will not sway. The stem has a black anti-scratch powder coat for maximum durability.



The base is made from tubular steel for strength and rigidity, without excess weight. This allows the stand to be used and moved around easily. Rubber feet preserve the floor and prevent clatter if the stand is knocked.

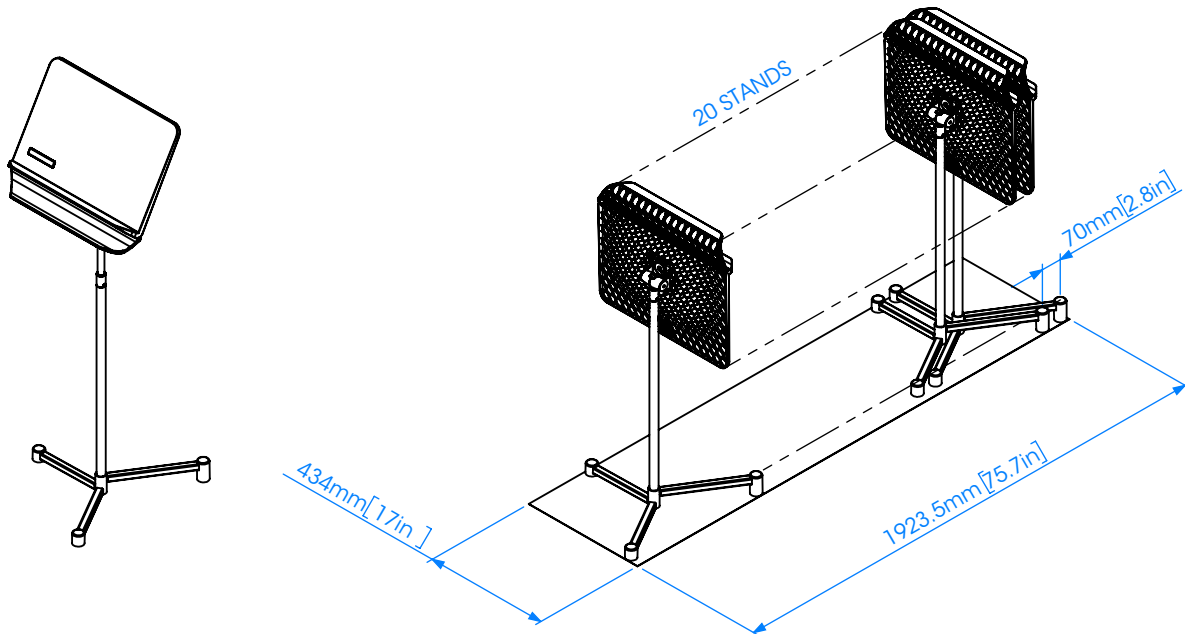
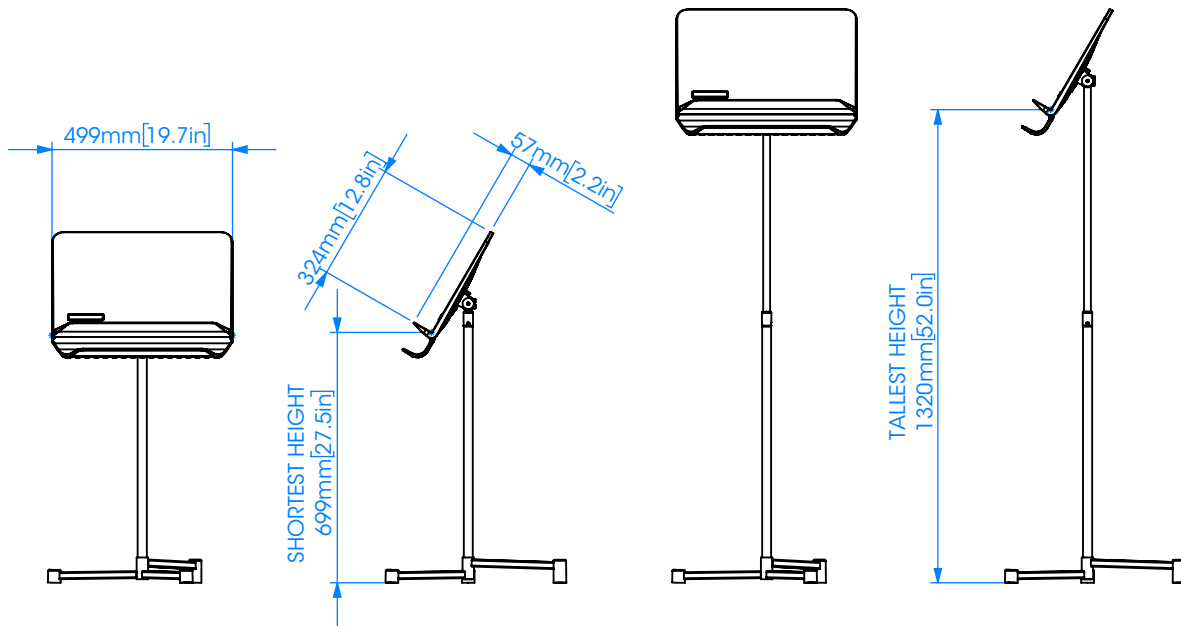


The design of the base enables multiple stands to nest for compact storage.



The Performer 3 Trolley is available to purchase separately and can carry up to 18 stands. (Please see relevant data sheet)

# Detailed Specification



## Specifier's description

Music stand with low profile base and solid tray. Stands can be nested on a flat floor without requiring a trolley. Rubber feet provide 3 point contact with the floor. Lever free locks for height and tray angle. Adjustable friction level for height and tray angle. Polypropylene tray which does not ring when knocked. Quick release tray lever enables a universal tablet holder or clear acoustic panel to be fitted.

Construction	
Structural parts	Steel
Feet	Rubber
Tray	Polypropylene
Coating	Black powder coat

Dimensions	
Tray width	499mm [19.6in]
Tray height (score area only)	324mm [12.8in]
Depth of tray lip	57mm [2.2in]
Maximum weight tray can hold	2.5kg [5.5lbs]
Lowest height to bottom of score	699mm [27.5in]
Tallest height to bottom of score	1320mm [52in]
Nesting pitch	70mm [2.8in]
Floor area occupied by 20 nested stands	1925 x 434mm [75.7 x 17in]
Storage height	905mm [35.6in]
Weight of stand	2.8kg [6.2lbs]

General	
Warranty	5 years
Part number	90Q2